

The Swing Groover™

The Golfer's Secret Weapon!

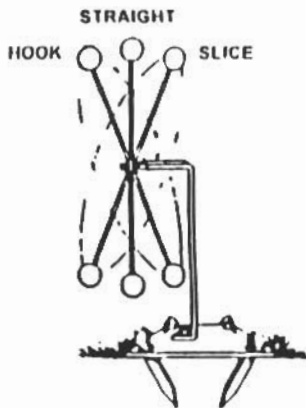
#20205

IMPROVE YOUR GAME

IT'S NO SECRET... that the only way to improve your game is practice. But now you can practice at home with the golfer's secret weapon -- THE SWING GROOVER.™

SHOWS HOW WELL YOU HIT THE BALL

Striking the ball causes it to swing around in circles on its tether cord. A straight hit will be shown by a straight spin. A hook or slice will be shown by off-center spins as shown in the illustration.



AUTOMATICALLY TEES ITSELF

When the ball stops spinning, it is in position to be hit again so you do not spend valuable practice time chasing balls.

DEVELOPS GOOD GOLF HABITS

Because the ball spins in place, there is no desire to look up after the ball. You will automatically keep your head down to see how well you hit the ball.

With The Swing Groover, there is a natural tendency to swing through the ball to make the ball spin in the correct plane. On the course this will lead to truer shots.

Since no time is spent shagging balls, more time can be spent concentrating on proper form and technique. Repetitive practice not only leads to development of good golf habits, but will strengthen and condition golf muscles.

Get your swing in the groove and keep it there ... with THE SWING GROOVER™, the golfer's secret weapon.

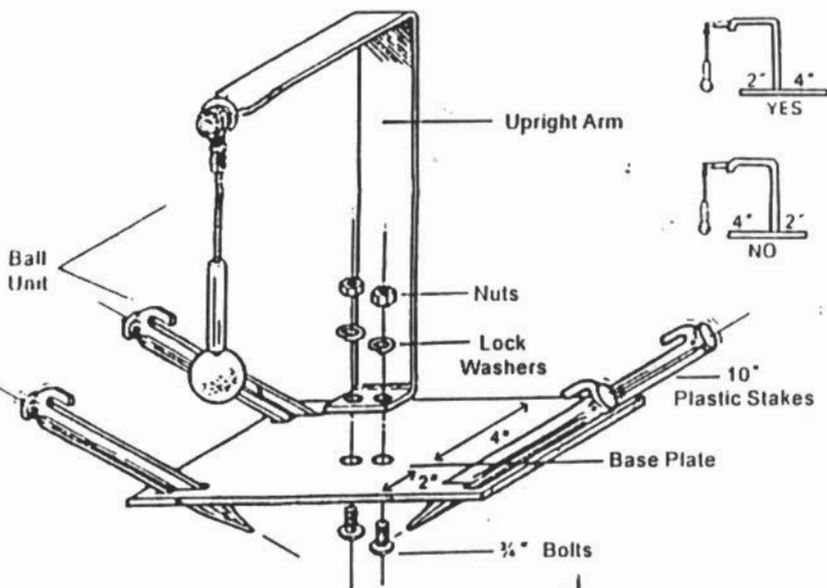
BEFORE YOU BEGIN...

Please read and follow these instructions carefully before using your Swing Groover™. Failure to follow the instructions may result in damage to your Swing Groover™, to your golf club, or possibly cause injury to you or a bystander.

ASSEMBLY

Tools needed: Adjustable wrench, screw driver, and a hammer.

As shown in the exploded view, the Swing Groover™ is easy to assemble. Insert the two 3/4" bolts through the base plate holes. Next, fit the upright arm over the bolts so that the ball hangs out past the edge of the base plate. Using the lock washers and nuts, fasten the upright arm firmly to the base plate with screwdriver and wrench.



LOCATION

Find a flat area to set up the Swing Groover™. The grass should be short enough so that the ball hangs freely at tee height with no slack in the cord.

The area should be free of rocks or other debris, and allow enough room to swing the club freely. **DO NOT FACE THE SWING GROOVER IN A DIRECTION WHERE THE BALL COULD INJURE SOMEBODY IF IT SHOULD COME OFF OF THE CORD.**

Stake the base plate into the ground with a hammer. **Wear Safety Glasses.** The stakes should be angled slightly as shown in the illustration for maximum holding strength. Several very hard hits will cause the stakes to loosen somewhat. The Swing Groover™ will perform well even with the stakes loosened. If you prefer, you can simply step on the stakes, pushing them into the ground between strokes.

Before taking a full swing, practice with easy chips and half swings to be sure you are able to hit only the ball, without topping the ball, hitting the tether cord, or hitting the ground.

For a more realistic fairway lie, the ball can be set directly on the ground by tilting the entire assembly toward you. This can be accomplished by placing a spacer of some sort under the far side of the base plate (the foam packing insert is ideal for this use). Remember to keep slack in the cord to a minimum.

When finished with the Swing Groover™, take it down and store indoors to prevent premature aging caused by the weather.

IMPORTANT PRECAUTIONS

- ALWAYS USE THE SAME PRECAUTIONS YOU WOULD WHEN PLAYING GOLF.
- NEVER ALLOW ANYONE TO STAND DIRECTLY IN FRONT OF OR BEHIND THE BALL.
- ALLOW CHILDREN TO USE ONLY UNDER ADULT SUPERVISION.
- BE CAREFUL TO HIT ONLY THE BALL. TOPPING THE BALL, CHOPPING DOWN ON THE BALL OR HITTING THE CORD OR THE GROUND WILL CAUSE DAMAGE TO BOTH YOUR CLUB AND THE SWING GROOVER. USING THE SWING GROOVER IN GRASS TALL ENOUGH TO CAUSE SLACK IN THE CORD CAN CONTRIBUTE TO THE PROBABILITY OF HITTING THE CORD AND DAMAGING YOUR CLUB. USE AN OLD CLUB AND SWING EASY UNTIL YOU ARE CONFIDENT OF YOUR ABILITY TO HIT ONLY THE BALL WHEN YOU SWING.
- IF YOU MIS-HIT AND SEVERELY TOP THE BALL OR HIT THE GROUND STOP! CHECK YOUR CLUB HEAD AND SHAFT FOR DAMAGE. IF ANY DAMAGE IS EVIDENT DISCONTINUE USING THAT CLUB. THE HEAD COULD COME OFF AND INJURE YOU OR A BYSTANDER.

DENNCO, INC. ASSUMES NO LIABILITY FOR MISUSE OF THE SWING GROOVER.™

WARRANTY

Dennco, Inc. guarantees this product for one year against defects caused by faulty materials or workmanship please return the parts directly to us, freight prepaid, for free repair or replacement, at our option. This guarantee does not cover damage by misuse or normal wear. In the event you have any questions please contact us at the address below or call us.

DENNCO, INC.
21 NORTHWESTERN DRIVE
SALEM, NH 03079

Tel: 1-800-336-6264
(603) 898-0004

SWING GROOVER™ REPLACEMENT PARTS

Qty.	Description - Model #202	Price
___	BALL UNIT-consists of ball, tether cord, and loop assembly	\$5.95
___	10" plastic stakes, package of 4	\$3.95
	SUB TOTAL	\$ _____
	Add postage and handling	\$2.00
	Mass residents add 5% sales tax	\$ _____
	TOTAL ENCLOSED:	\$ _____

Send check or money order to: DENNCO, INC.
21 NORTHWESTERN DRIVE
SALEM, NH 03079

SEND TO: Name: _____
Address _____
City _____ State _____ Zip _____